

TECHNICAL SPECIFICATION

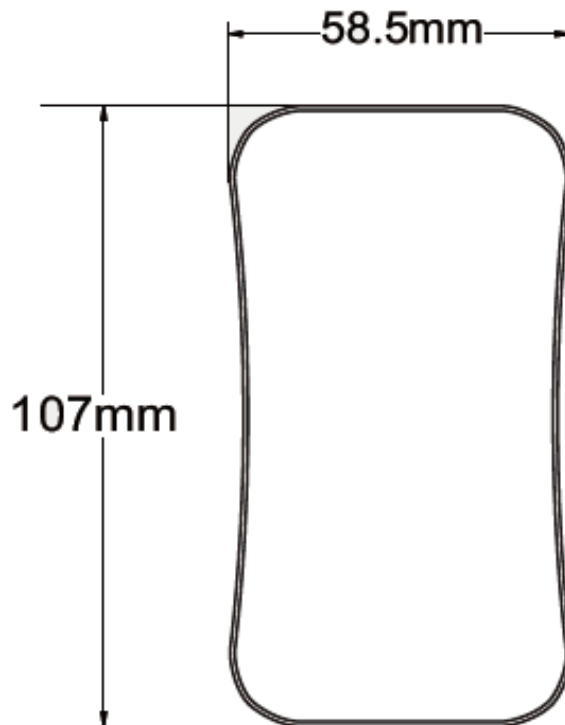
SINGLE ZONE RF WIRELESS REMOTE CONTROLLER



- Match with our single-color controllers or smart LED lamps.
- Single zone, four zone and eight zone version are available.
- Adopt 2.4GHz wireless technology, remote distance up to 30m.
- CR2032 button battery power supply.
- Operate with LED indicator light.
- Each remote can match one or more receiver.

Technical data:

Output signal:	RF (2.4G)
Working voltage:	3VDC(CR2032)
Working current:	< 20mA
Standby current:	< 10 μ A
Standby time:	6 months
Remote distance:	30m
Working temperature:	-30 $^{\circ}$ C~55 $^{\circ}$ C
Product size:	L107xW58.5xH9mm
Net weight:	34g
Catalogue number:	99REMOT1

Dimensions:

Match method:

■ For controller with match key

Match: Short press match key, within 5s, press any key of the remoter.

Delete: Long press match key for 5s, delete all matched remote.

■ For panel controller

Match: Turn on light, turn off, immediately press on/off key for 5s, within 5s, press any key of the remoter.

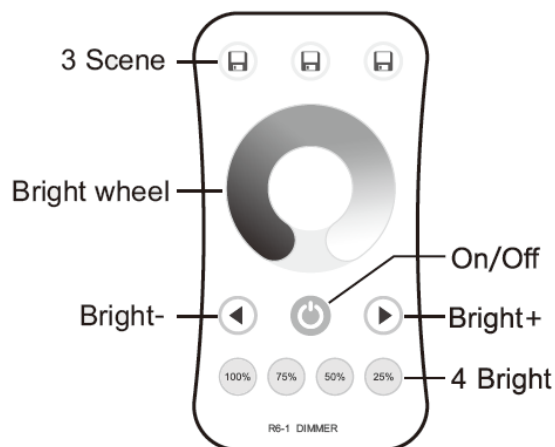
Delete: Turn on light, turn off, immediately press on/off key for 10s, delete all matched remoter.

■ For smart lamp or controller without match key

Match: Switch off the power, then switch on power again, short press on/off key 3 times on the remoter quickly within 5s after power on, the link is done once the light blinks 3 times.

Delete: Switch off the power, then switch on power again, short press on/off key 5 times on the remoter quickly within 5s after power on, the unlink is done once the light blinks 5 times.

Key Functions:



On/Off: Turn on/off light.

Bright wheel: Touch to change brightness.

Bright+/-: Adjust brightness, short press 10 levels, long press 1-5s continuous 256 levels adjustment.

100%,75%,50%,25%: Get 4 kinds brightness directly.

3 Scene: Short press run the scene, long press 2s save.

Note: To extend battery life, no touch or press key operation after a few seconds, the touch wheel will enter sleep state, you need press any key to make touch wheel quit sleep state.